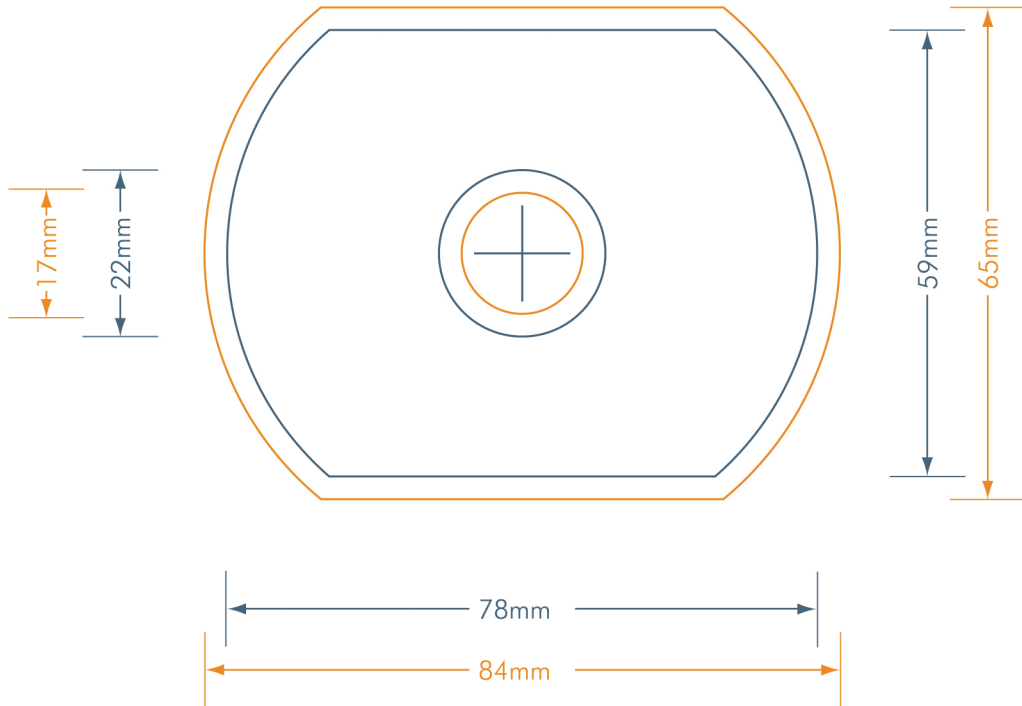




BUSINESS CARD CD LABEL TEMPLATE

PME Audio/Video
2003 N. El Camino Real Ste.108
Oceanside, CA 92054
t. 760-439-0281
www.pmevideo.com



Print Area - Extend background graphics to orange line

The blue line represents the cut line and the orange line represent the bleed line. Design your label background graphics to extend past the guides to the orange outline. This allows for a bleed outside the cut lines to avoid un-printed gaps that may occur with slight mis-registrations.

All artwork and elements must be supplied in CMYK and/or PMS color. For best results, all images must have a resolution of 300dpi or higher.

Program files accepted: Adobe Illustrator, QuarkXPress and CorelDraw. Other formats may cause delays and extra charges.

The completed artwork file may be supplied to us on disc or transferred electronically via FTP or email. All fonts must be converted to outlines/curves. Please supply us with a high quality color output for reference. While we print to industry accepted standards, we do not guarantee exact colour matching.

Dimensions

59 x 78mm diameter
outer edge of label

22mm diameter
inner edge of label

65 x 84mm diameter
outer bleed
17mm diameter
inner bleed